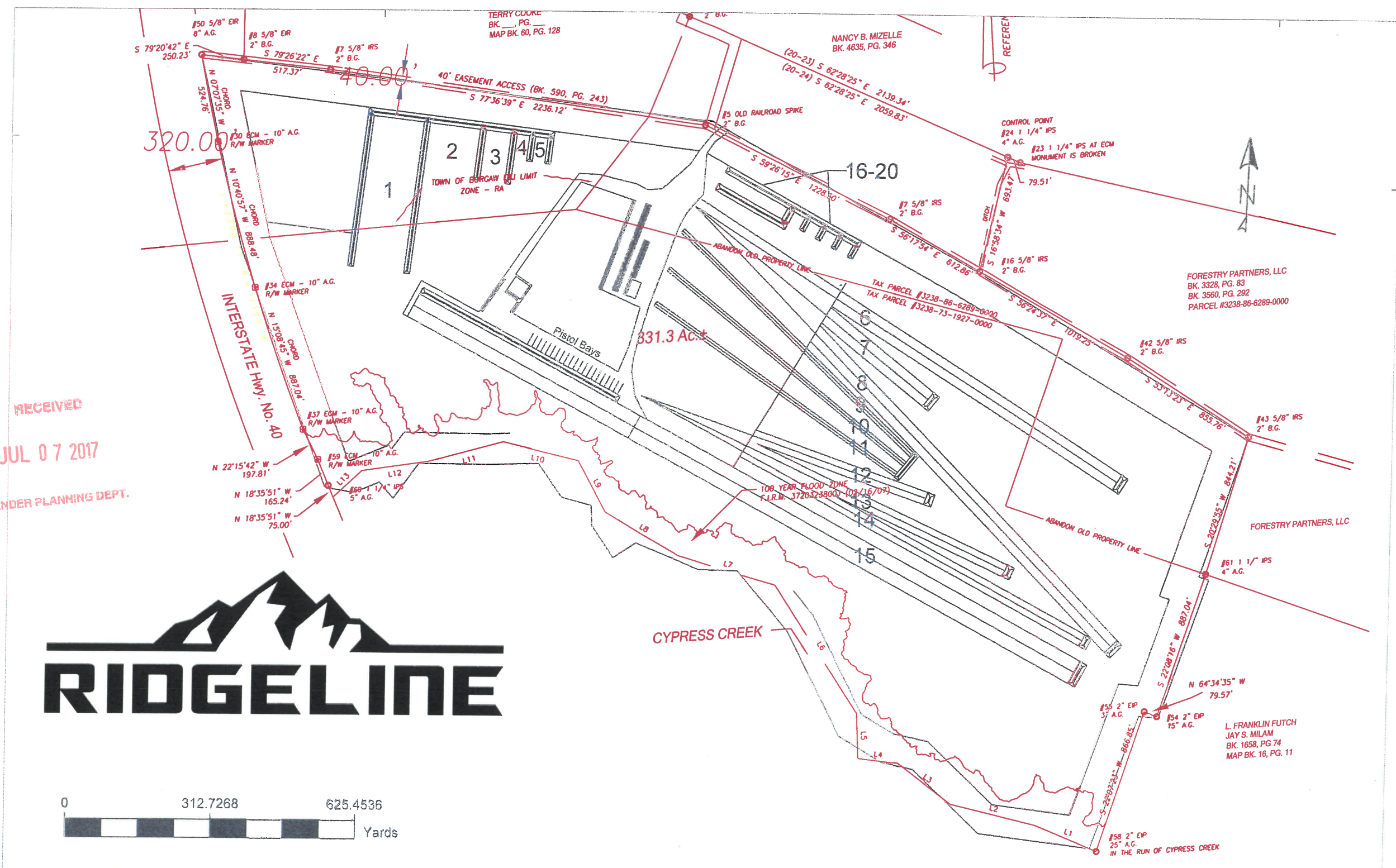
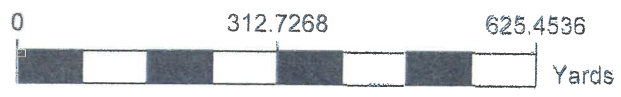
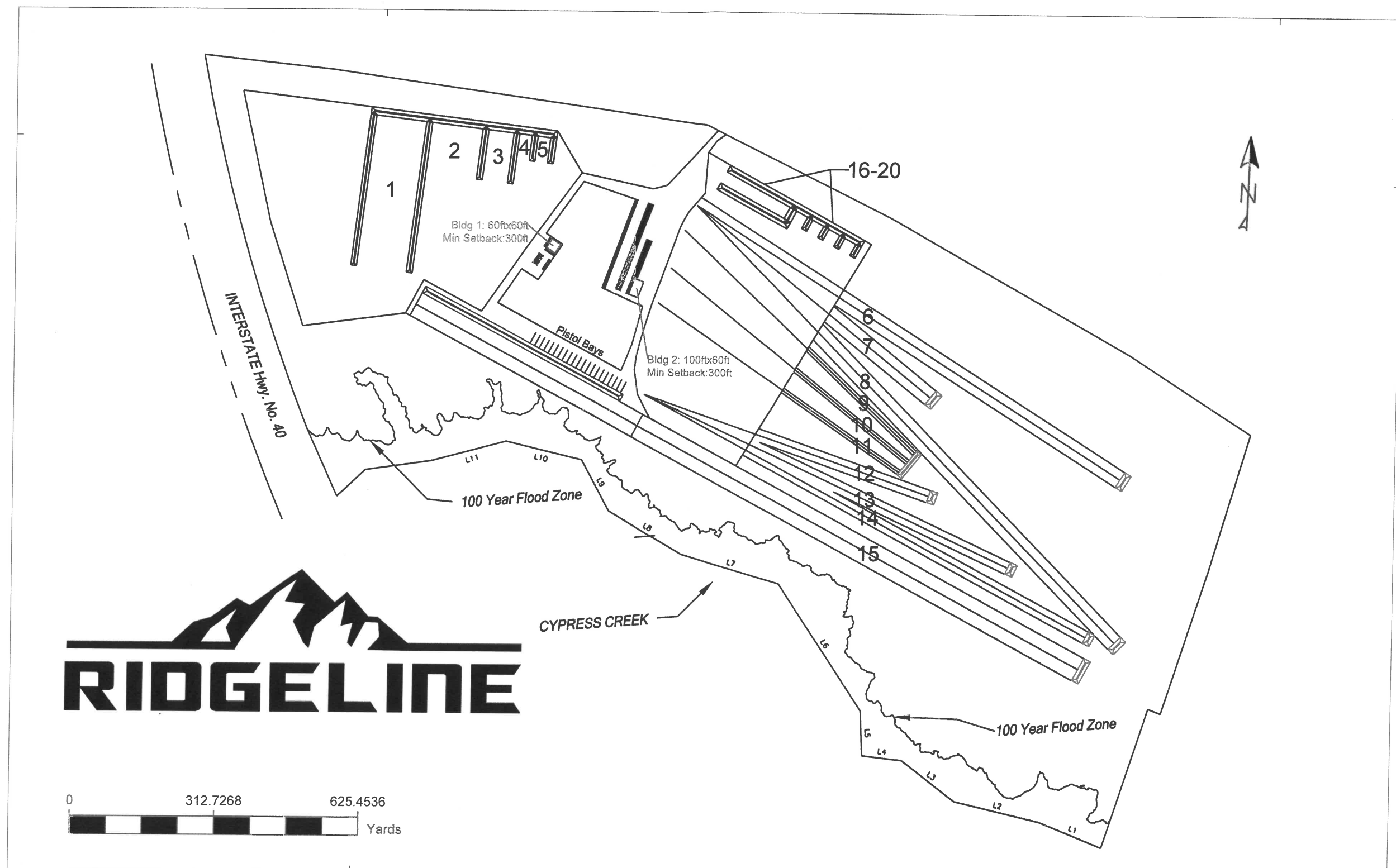
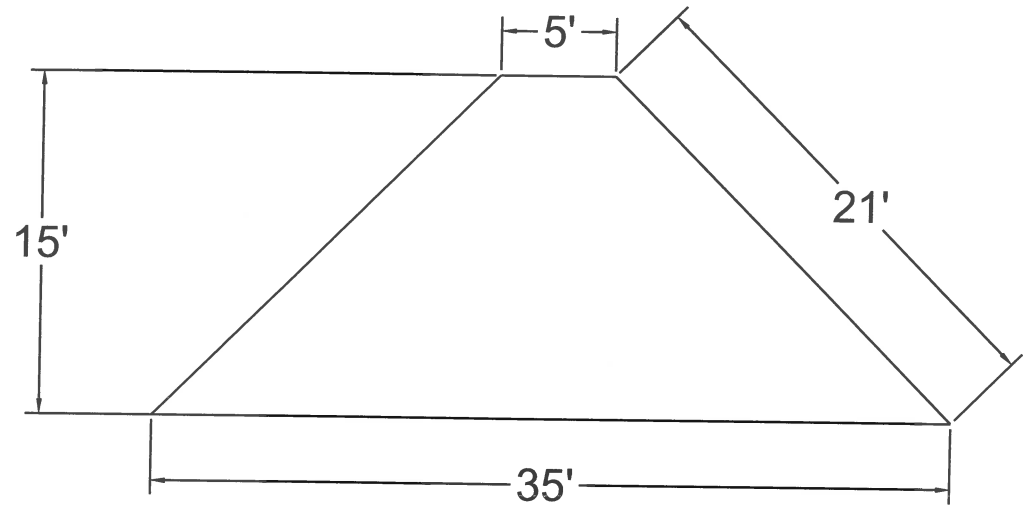
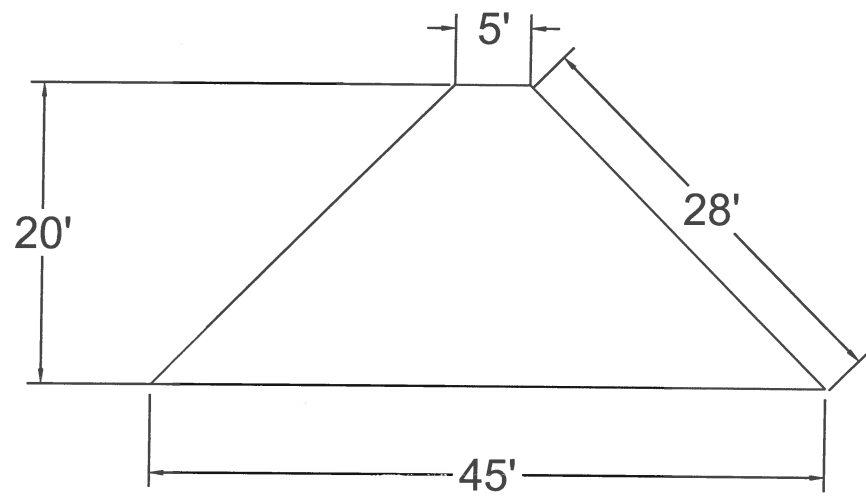


RECEIVED
JUL 07 2017
PENDER PLANNING DEPT.

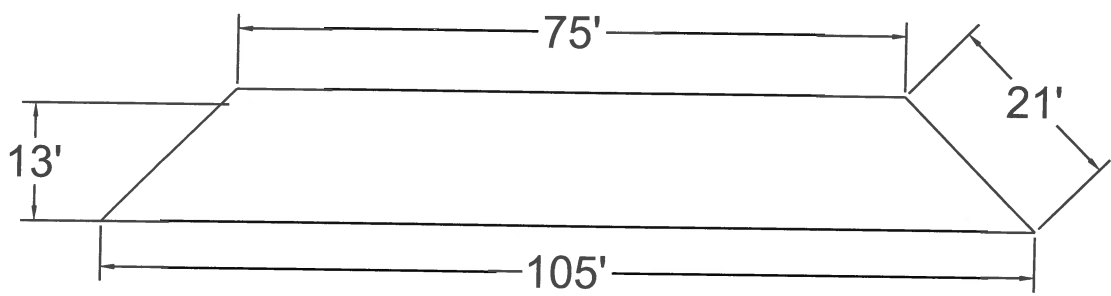
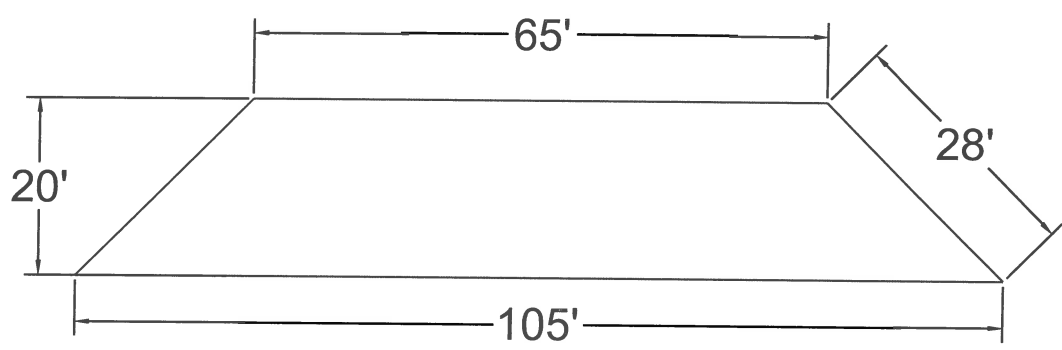


Submitted by Hartmann Consulting LLC	PROPOSED RIDGELINE LAYOUT Burgaw, NC	Prepared for Ridgeline Shooting Sports LLC
--------------------------------------	--	--





20' Side View	15' Side View
20' Front View	15' Side View



Submitted by: Hartmann Consulting LLC

Safety Berm Cross - Section

Prepared for Ridgeline Shooting Sports
LLC