



## **PENDER COUNTY UTILITIES**

605 E. Fremont Street  
P.O. Box 995  
Burgaw, NC 28425  
Phone - 910.259.1570  
Fax - 910.259.1579

*Michael G. Mack, Director*

### **NOTICE OF WATER AVAILABILITY**

Scotts Hill Water and Sewer District has installed the meter for your water service and you may now connect to the water system. Pender County Utilities (**not** County Inspections) will be coordinating the inspection of your water line installation and a meter inspection permit will be required. The cost of the permit is \$25 and it may be obtained by mail or at the Pender County Utilities office in Burgaw. Please have available the completed **Information Update** form that is located in this packet when the permit is purchased.

Utilities staff will be happy to offer advice as to how you can disconnect your well from your home and still use it for irrigation and other non-household uses.

Also included in this packet is a schematic illustration of a residential water connection and information about the North Carolina Plumbing Code Requirements for Water Service which describes the requirements for water line installation from the meter box to your dwelling. The Water District and North Carolina Plumbing Codes require that the well be completely disconnected from the supply line to your house. This prevents the possibility that well water or ground water will get into the public water supply.

Attached is a copy of the Rate and Fee Schedule to explain the charges that will appear on your bill. The bill will be mailed on the first day of the month following your meter installation. If you have any questions, feel free to contact the office at (910) 259-1570.

### **STEPS TO COMPLETION**

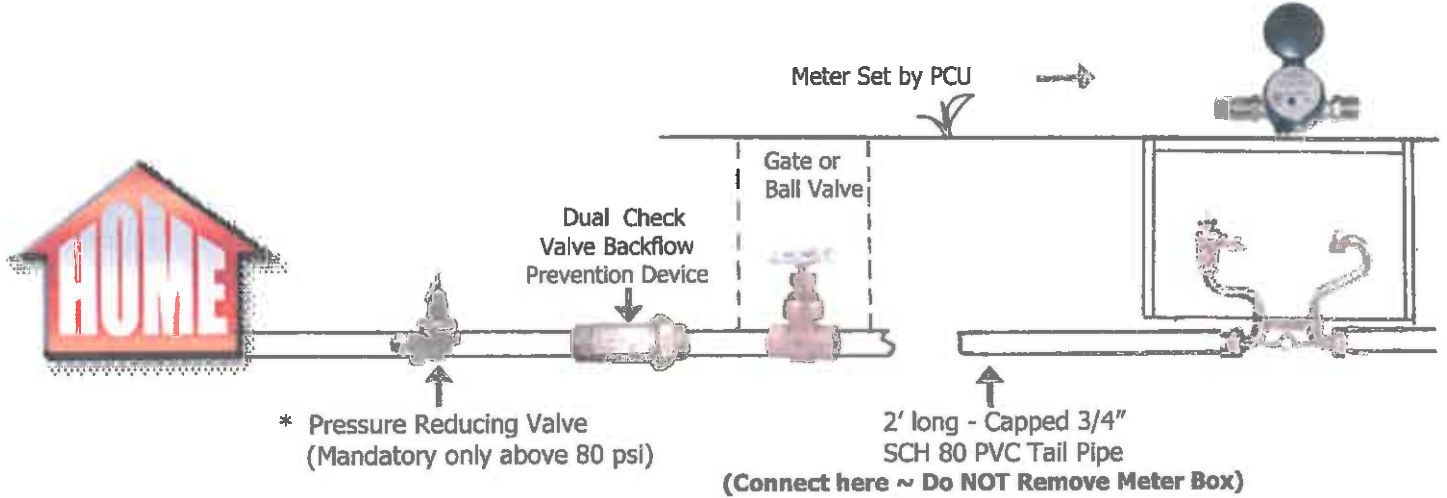
1. Contact Pender County Utilities to pay for and obtain inspection permit. Telephone 910.259.1570, Fax 910.259.1579. Located at 605 E. Fremont Street, P.O. Box 995, Burgaw, NC 28425. (located in the same building as the Sheriff's Department, across Bennett Street from the hospital)
2. Connect your home to the water meter. Contact a Licensed Plumber or be your own contractor. Leave the pipe exposed until after the inspection.
3. Call 259-1570 and schedule an inspection. Make sure you have your permit number handy when you call. Inspections are generally accommodated on the next working day after your call is received.
4. The Property Owner and/or Contractor must meet with Utilities Staff to have the inspection completed and the water turned on.

North Carolina Plumbing Code Requirements  
for Water Service from Pender County Utilities to Residential Dwellings

1. All water service piping should be buried a minimum of twelve inches (12") below ground level. The piping in the trench must be inspected before covering with dirt.
2. There shall be a shut-off valve (gate valve or ball valve) **and** dual check valve backflow prevention device installed on the house side of the water meter as shown in the Connection diagram. There must also be a shut-off valve in the water supply line prior to any distribution branches and/or hose spigot in any one of three locations; in the interior of the building, in the crawl space within three feet of the access door, or, in a readily accessible valve box within two feet of the outside foundation wall.
3. The inline dual check valve backflow prevention device shall conform to ASSE 1024 and be installed in the water service piping.
4. Minimum Pipe Size:
  - Plastic piping or tubing shall be ¾" up to 60 feet in length, or
  - 1" for metallic or steel tubing up to 60 feet in length, or
  - 1" Plastic up to 200 feet in length, or
  - 1 ¼" Plastic up to 300 feet in length, or
  - Over 300 feet in length for a dwelling with three or more bathrooms, please contact Pender County Utilities at 910-259-1570 for consultation with Plumbing Inspector.
5. A private water supply cannot be connected to the potable public water supply for any reason in accordance with State Regulations. This means the well or existing water supply source must be disconnected from the house/business and inspected during the inspection process for connection to the public water supply and remain disconnected permanently. Cross-connections are prohibited and illegal.
6. The list of approved water service pipes is listed in the North Carolina Plumbing Code, Section 605. The most commonly available tubing or piping that are acceptable are listed:
  - a) White PVC Plastic pipe and fittings, SCH 40, 80, 120, or SDR Series with any of these listed numbers on the tubing: ASTM D 2466, ASTM D 1785, ASTM D 2241.
  - b) Solvent cement for PVC should be ASTM D 2564. Primer for PVC Solvent Cement should be ASTM F 656.
  - c) CPVC Plastic pipe, SCH 40 and 80: ASTM F 441, ASTM F 442, ASTM D 2846. Solvent Cement should be ASTM F 493.
  - d) Seamless Copper water tube type: K, L, or M
  - e) Cross linked Polyethylene (PEX) tubing should be ASTM F 876.
  - f) Polybutylene (PB) plastic pipe (SDR-PR) should be ASTM D 3309.
  - g) Polybutylene (PB) should be ASTM D 2666.
  - h) Black roll type Polyethylene should be ASTM D 3000, D 2447, or D 2239. This tubing shall have a minimum working pressure rating of 160 psi at 73.4 degrees F.
  - i) Galvanized Steel pipe should be ASTM A 53.
  - j) All fittings shall be compatible with its use for piping installation and all piping and fittings shall be legibly marked or identified to meet the Standards listed.



# Pender County Utilities Residential Water Connection



## YOU MUST USE ONE OF THE FOLLOWING DEVICES IN YOUR HOME:

Watts Governor 80™ Anti-Siphon Ball cock, 80 psi with thermal expansion relief valve.



A triple purpose product: toilet tank ball cock fill valve, anti-siphon backflow preventer and thermal expansion relief valve in one assembly. The Governor 80 drains any excess water created by thermal expansion into the toilet tank.

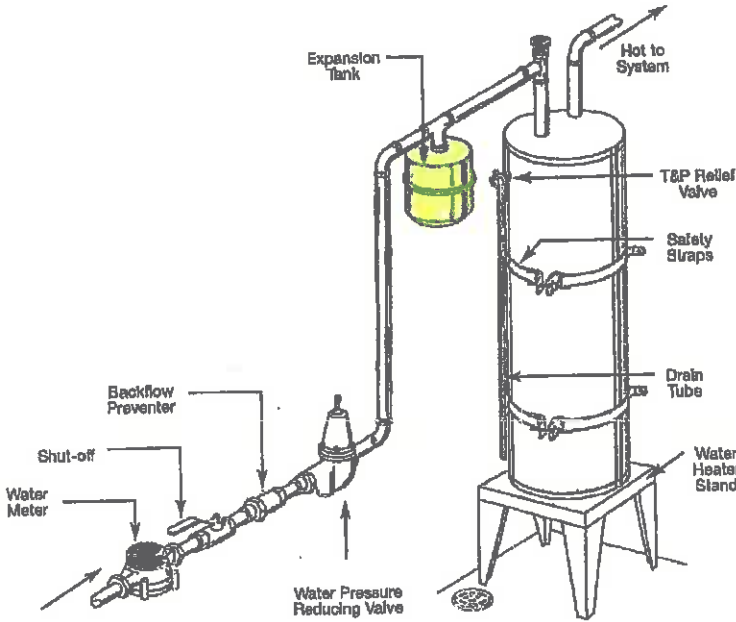
### YOU MAY USE THIS IN ONE TOILET TANK IN YOUR HOME

OR

**YOU MUST INSTALL A THERMAL EXPANSION TANK IN THE COLD WATER PIPE LINE ON THE SUPPLY SIDE OF YOUR HOT WATER HEATER.**



**POTABLE WATER EXPANSION TANK**



**PLEASE CONTACT PCU AT 910-259-1570 SHOULD YOU HAVE ANY QUESTIONS ABOUT THE CONNECTION.**



## Water Conservation Tips

### **Outdoors**

- Check for and repair leaky hose connections and sprinkler lines, heads and valves.
- Water in the morning or evening, not in the heat of the day, to prevent evaporation.
- Avoid watering on windy days.
- Water slowly, thoroughly, and as infrequently as possible to promote deep roots and healthy plants.
- Hold your garden hose close to the roots of plants so that there's little waste and evaporative loss.
- Choose plants that don't require a lot of water.
- Position sprinklers so that they do not water pavement.
- Use rinse water from the house to water plants in or near the house.
- Never let water run unnecessarily.
- Limit car washing. Use a bucket and a hose with a spray attachment.
- Use a broom instead of a hose to clean driveways and sidewalks.
- Set lawn mower blades one notch higher. Longer grass means less evaporation.

### **Kitchen**

- Eliminate leaks by replacing old gaskets. A dripping faucet can waste 3,600 gallons a year.
- Install faucet aerators.
- Keep a pitcher of cold water in the fridge, instead of running water until its cold.
- Don't rinse dirty dishes before loading into dishwasher; scrape clean and let the machine do the rest.
- When washing dishes by hand, fill one sink with wash water and the other with rinse water.
- Don't use a garbage disposal.
- Only use the dishwasher and washing machine with full loads, and use the "water-saver" setting, if available.
- Don't thaw frozen food under running water.

### **Bathroom**

- Don't leave the water running while lathering, rinsing, shaving, or brushing teeth.
- If you hear running water in your toilet tank, adjust the leaky float valve or replace the faulty hardware.
- Don't use your toilet as a wastebasket.
- Take short showers instead of baths.
- Install a water-filled plastic jug or a "toilet tank bag" in your toilet tank to reduce the water used per flush. Don't use a brick, which may crumble.
- Check for leaks by dropping a small amount of food coloring in the upper tank. If color appears in the bowl, you have a leak.
- Install faucet aerators and or water-saving showerheads.